

T-Nuts

Steel, for Aluminum Profiles (b-Modular System)

SPECIFICATION

Types

- Type **V**: With anti-twist protection
- Type **F**: With anti-twist protection, with spring
- Type **S**: Heavy

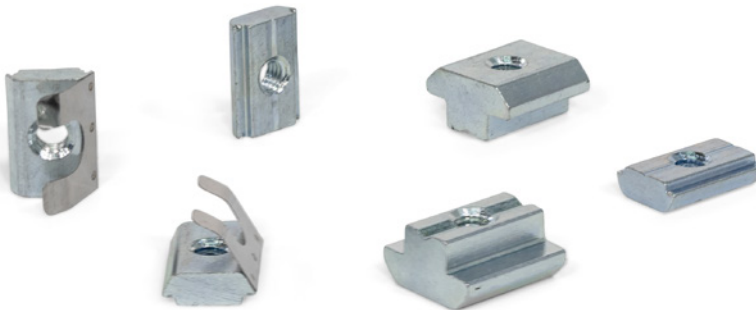
Steel, zinc plated, blue passivated **SZ**

INFORMATION

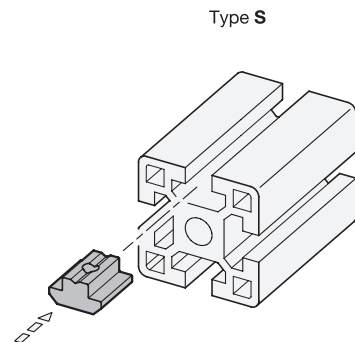
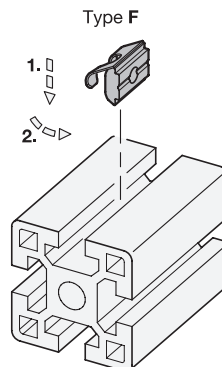
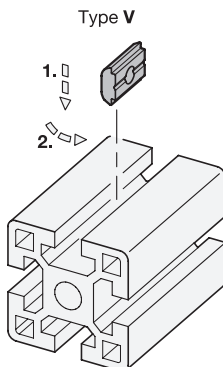
T-nuts GN 50b fasten attachments and accessories in the slot of aluminum profiles.

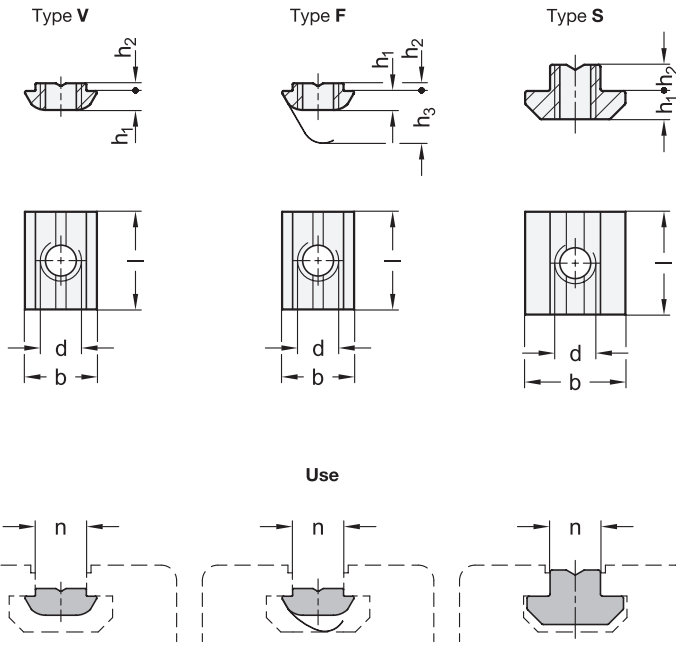
The spring of type F secures the T-nut against unwanted slipping in the groove, making installation easier.

T-nuts of types V and F can be swiveled into the slot at any position.



Assembly Instructions





GN 50b-V

Description	n	d	b	h1	h2	Length l	⚖️
GN 50b-8M4-V-SZ	8	M 4	11.6	3.8	1	16	5
GN 50b-8M5-V-SZ	8	M 5	11.6	3.8	1	16	4
GN 50b-8M6-V-SZ	8	M 6	11.6	3.8	1	16	3
GN 50b-8M8-V-SZ	8	M 8	11.6	3.8	1	16	2
GN 50b-10M4-V-SZ	10	M 4	14	3.8	1.5	20	9
GN 50b-10M5-V-SZ	10	M 5	14	3.8	1.5	20	8
GN 50b-10M6-V-SZ	10	M 6	14	3.8	1.5	20	7
GN 50b-10M8-V-SZ	10	M 8	14	3.8	1.5	20	6

GN 50b-F

Description	n	d	b	h1	h2	h3 ≈	Length l	⚖️
GN 50b-8M4-F-SZ	8	M 4	11.6	3.8	1	8	16	5
GN 50b-8M5-F-SZ	8	M 5	11.6	3.8	1	8	16	4
GN 50b-8M6-F-SZ	8	M 6	11.6	3.8	1	8	16	3
GN 50b-8M8-F-SZ	8	M 8	11.6	3.8	1	8	16	2
GN 50b-10M4-F-SZ	10	M 4	14	3.8	1.5	12	20	10
GN 50b-10M5-F-SZ	10	M 5	14	3.8	1.5	12	20	9
GN 50b-10M6-F-SZ	10	M 6	14	3.8	1.5	12	20	8
GN 50b-10M8-F-SZ	10	M 8	14	3.8	1.5	12	20	7

GN 50b-S

Description	n	d	b	h1	h2	Length l	⚖️
GN 50b-6M4-S-SZ	6	M 4	9.6	3	1	10	3
GN 50b-6M5-S-SZ	6	M 5	9.6	3	1	10	2
GN 50b-6M6-S-SZ	6	M 6	9.6	3	1	10	1
GN 50b-8M4-S-SZ	8	M 4	15.8	4	2	16	9
GN 50b-8M5-S-SZ	8	M 5	15.8	4	2	16	8
GN 50b-8M6-S-SZ	8	M 6	15.8	4	2	16	7
GN 50b-8M8-S-SZ	8	M 8	15.8	4	2	16	6
GN 50b-10M4-S-SZ	10	M 4	19.5	5.5	5	20	22
GN 50b-10M5-S-SZ	10	M 5	19.5	5.5	5	20	21
GN 50b-10M6-S-SZ	10	M 6	19.5	5.5	5	20	20
GN 50b-10M8-S-SZ	10	M 8	19.5	5.5	5	20	19

